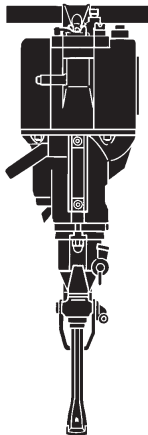


Spare parts list
Liste de pièces de rechange
Ersatzteilliste
Lista de piezas de repuesto
Lista de peças
Listino ricambi
Onderdelenlijst
Καταλογος ανταλλακτικῶν
Varaosu luettelo
Reservdelsliste
Reservdelfortegnelse
Reservdelsförteckning

Motor drills
Marteaux perforateurs
Motorbohrhämmer
Motorperforadoras
Martelo perfurador
Perforatrici a motore
Motorboorhamers
Βενζινοκίνητες Σφύρες
Moottoriporakoneet
Motorborehamre
Motorboremaskiner
Motorbormaskiner

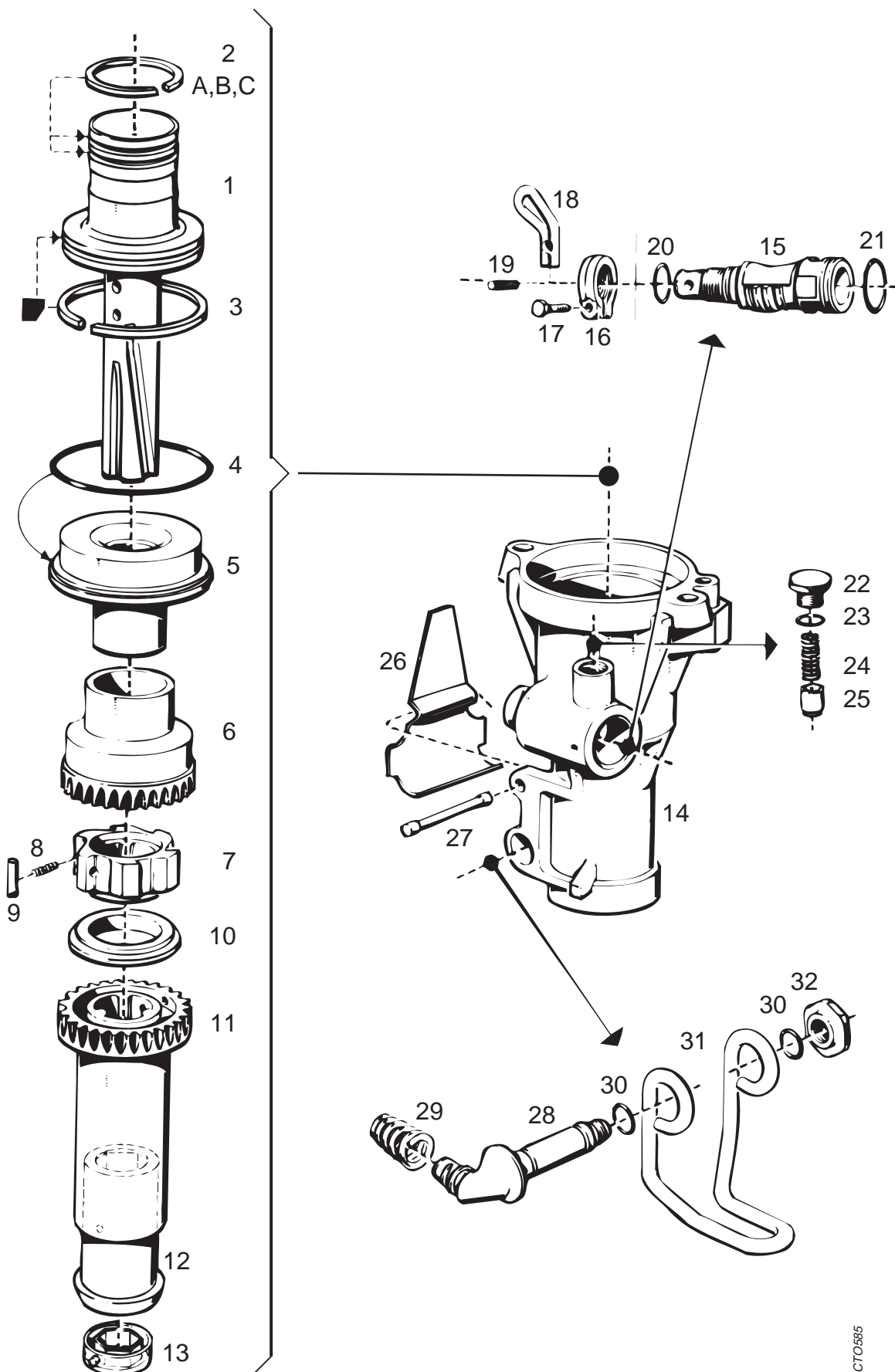


Pionjär®

120
130
140
150

A

Pionjär 120/140



| Fig. No. No. de fig. Abb. Nr. Núm de fig.. Fig. No No rif. Fig. Nr Αριθ Σχ. Kuva nr. Fig. nr. Fig. nr. Fig. nr. | Ordering No Référence Bestellnummer Núm. pedido Encomenda No No Cat. Bestel nr. Αριθ. Παραγγελίας Tilaus nro. Bestillingsnummer Bestillingsnummer Best. nummer | Quantity Quantité Anzahl Cantidad Qvantidade Quantitá Aantal Ποσότητα Lukumäärä Antal Antall Antal | Description Description Beschreibung Descripción Descriçao Descrição Omschrijving Περιγραφή Nimitys Beskrivelse Beskrivelse Beskrivning | Contents Sommaire Inhalt Indice Conteúdo Contenuto Inhoud Περιεχόμενα Sisältö Indhold Innhold Innehåll | Dimensions Dimensions Abmessungen Dimensiones Dimensões Dimensioni Afmetingen Διαστάσεις Mitat Dimensioner Dimensjoner Dimensioner |
|--|---|---|--|---|---|
| 1 | 9232 2109 61 | 1 | Hammer piston assy | A1+A2a+A3 | Pionjär 120/140 |
| 1 | — | 1 | Hammer piston | *) | Pionjär 120/140 |
| 2 | 9232 2109 41 | 1 | Piston ring set | B[2],A2a,A3 | |
| 2a | 9232 2106 70 | 2 | Piston ring | B2a | 58x3.15 mm |
| 2b | 9232 2106 90 | 2 | Piston ring | B2b | 58x3.25 mm |
| 2c | 9232 2107 00 | 2 | Piston ring | B2c | 58x3.45 mm |
| 3 | 9232 2109 40 | 1 | Piston ring | B3 | 90x3.15 mm |
| 4 | 9232 1205 00 | 1 | O-ring | **),B4 | 99.1x2.4 mm |
| 5 | 9232 2106 41 | 1 | Piston guide assy | B{5},A4-5 | |
| 5 | — | 1 | Piston guide | *) | |
| 6 | 9232 1604 70 | 1 | Ratchet housing | | |
| 7 | 9232 2106 21 | 1 | Ratchet wheel assy | A7-9 | |
| 7 | — | 1 | Ratchet wheel | *) | |
| 8 | 9232 0406 50 | 6 | Spring | | |
| 9 | 9232 2102 91 | 1 | Ret roller set | A8-9 | |
| 9 | 9232 2102 90 | 6 | Roller | | |
| 10 | 9232 1604 80 | 1 | Spacer | | |
| 11 | 9232 1604 61 | 1 | Drill chuck assy | A11-13 | 22x108 mm |
| 11 | — | 1 | Drill chuck | *) | |
| 12 | 9232 1604 51 | 1 | Collet assy | A12-13 | 22x108 mm |
| 12 | — | 1 | Collet | *) | |
| 13 | 9232 1207 90 | 1 | Gasket | | 22 mm |
| 14 | 9232 1604 40 | 1 | Drill housing | | |
| 15 | 9232 1604 92 | 1 | Operating shaft assy | A15+A20-21 | |
| 15 | — | 1 | Operating shaft | *) | |
| 16 | 9232 0206 61 | 1 | Locking nut assy | A16-17 | |
| 16 | — | 1 | Locking nut | *) | |
| 17 | 9232 0113 00 | 1 | Screw | | 5x20 mm |
| 18 | 9232 1605 11 | 1 | Lever assy | A18-19 | |
| 18 | — | 1 | Lever | *) | |
| 19 | 9232 0604 60 | 1 | Pin | | 4x16 mm |
| 20 | 9232 1208 40 | 1 | O-ring | **) | 17.1x1.6 mm |
| 21 | 9232 1208 20 | 1 | O-ring | **) | 27.1x1.6 mm |
| 22 | 9232 1605 41 | 1 | Spring housing assy | A22-25 | |
| 22 | — | 1 | Spring housing | *) | |
| 23 | 9232 1208 30 | 1 | O-ring | **) | 12.1x1.6 mm |
| 24 | 9232 0404 40 | 1 | Spring | | |
| 25 | 9232 1300 40 | 1 | Plunger | | |
| 26 | 9232 0402 80 | 1 | Yoke spring | B7 | |
| 27 | 9232 0601 90 | 1 | Lock pin | B8 | |
| 28 | 9232 1605 72 | 1 | Yoke bolt assy | B{11},A28-30 | |
| 28 | — | 1 | Yoke bolt | *) | |
| 29 | 9232 0402 60 | 1 | Spring | B12 | |
| 30 | 9232 1201 80 | 2 | O-ring | **),B13 | 15.3x2.4 mm |
| 31 | 9232 1605 50 | 1 | Drill yoke | B10 | |
| 32 | 9232 1605 60 | 1 | Drill yoke nut | B14 | |



*) **) ***) *****)

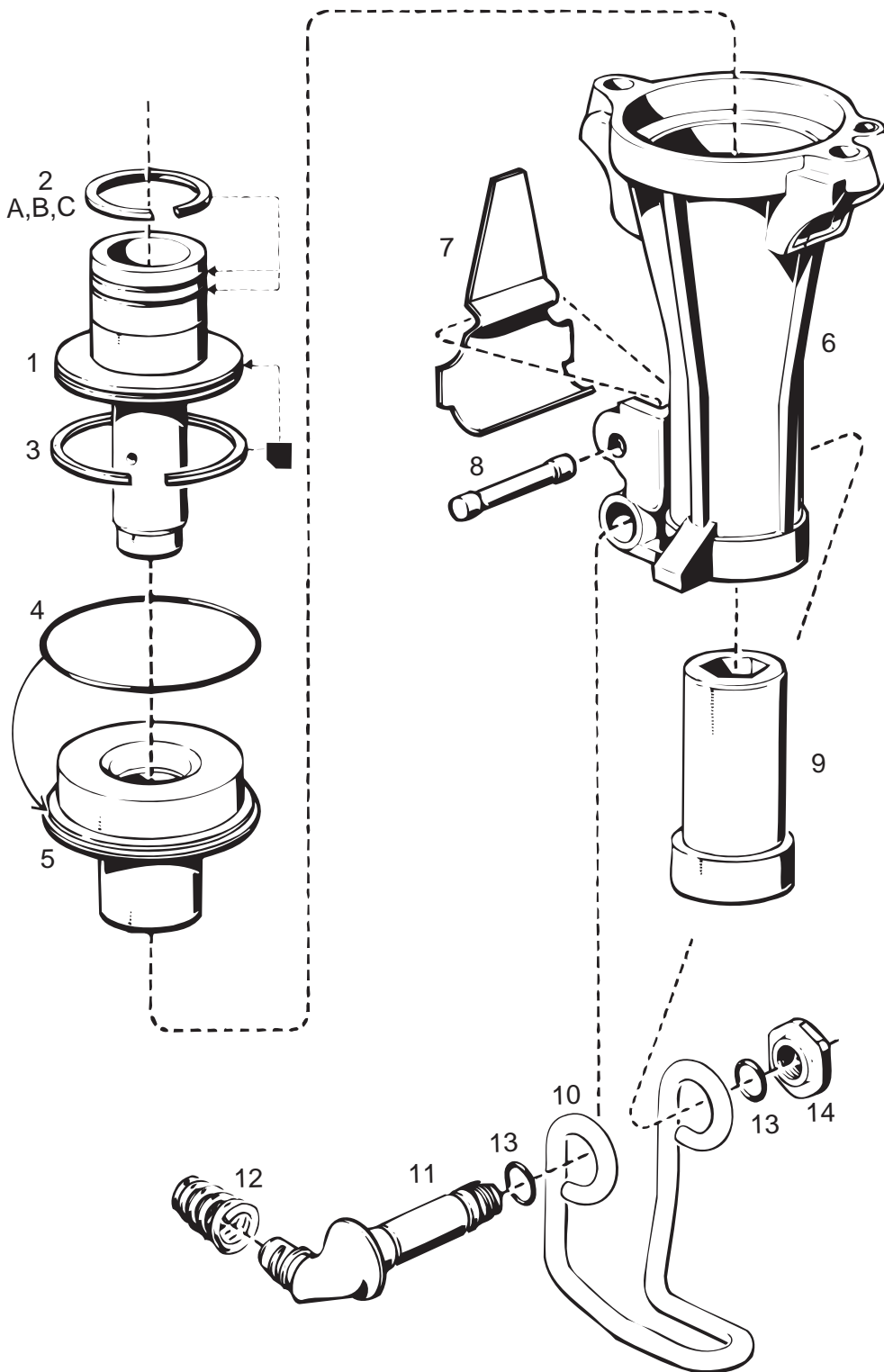


See page
Voir page



B

Pionjär 130/150



| Fig. No. No. de fig. Abb. Nr. Núm de fig.. Fig. No No rif. Fig. Nr Αριθ Σχ. Kuva nr. Fig. nr. Fig. nr. Fig. nr. | Ordering No Référence Bestellnummer Núm. pedido Encomenda No No Cat. Bestel nr. Αριθ. Παραγγελίας Tilaus nro. Bestillingsnummer Bestillingsnummer Best. nummer | Quantity Quantité Anzahl Cantidad Qvantidade Quantitá Aantal Ποσότητα Lukumäärä Antal Antall Antal | Description Description Beschreibung Beschreibung Descripción Descripción Omschrijving Περιγραφή Nimitys Beskrivelse Beskrivelse Beskrivning | Contents Sommaire Inhalt Indice Conteúdo Contenuto Inhoud Περιεχόμενα Sisältö Indhold Innhold Innehåll | Dimensions Dimensions Abmessungen Dimensiones Dimensões Dimensioni Afmetingen Διαστάσεις Mitat Dimensioner Dimensioner Dimensioner |
|--|---|---|---|---|---|
| 1 | 9832 2109 51 | 1 | Hammer piston assy | B1, B2a, B3 | Pionjär 130/150 |
| 1 | – | 1 | Hammer piston | *) | Pionjär 130/150 |
| 2 | 9232 2109 41 | 1 | Piston ring set | A[2] , B2a, B3 | |
| 2a | 9232 2106 70 | 2 | Piston ring | A2a | 58x3.15 mm |
| 2b | 9232 2106 90 | 2 | Piston ring | A2b | 58x3.25 mm |
| 2c | 9232 2107 00 | 2 | Piston ring | A2c | 58x3.45 mm |
| 3 | 9232 2109 40 | 1 | Piston ring | A3 | 90x3.15 mm |
| 4 | 9232 1205 00 | 1 | O-ring | **), A4 | 99.1x2.4 mm |
| 5 | 9232 2106 41 | 1 | Piston guide assy | A[5] , B4–5 | |
| 5 | – | 1 | Piston guide | *) | |
| 6 | 9232 1703 61 | 1 | Breaker housing assy | B6–14 | 22x108 mm |
| 6 | – | 1 | Breaker housing | *) | 22x108 mm |
| 7 | 9232 0402 80 | 1 | Yoke spring | A27 | |
| 8 | 9232 0601 90 | 1 | Lock pin | A28 | |
| 9 | 9232 1605 20 | 1 | Collet | | 22x108 mm |
| 10 | 9232 1605 50 | 1 | Drill yoke | A32 | |
| 11 | 9232 1605 72 | 1 | Yoke bolt assy | A[29], B11–13 | |
| 11 | – | 1 | Yoke bolt | *) | |
| 12 | 9232 0402 60 | 1 | Spring | A30 | |
| 13 | 9232 1201 80 | 2 | O-ring | **), A31 | 15.3x2.4 mm |
| 14 | 9232 1605 60 | 1 | Drill yoke nut | A33 | |



*) **) ***) ****)



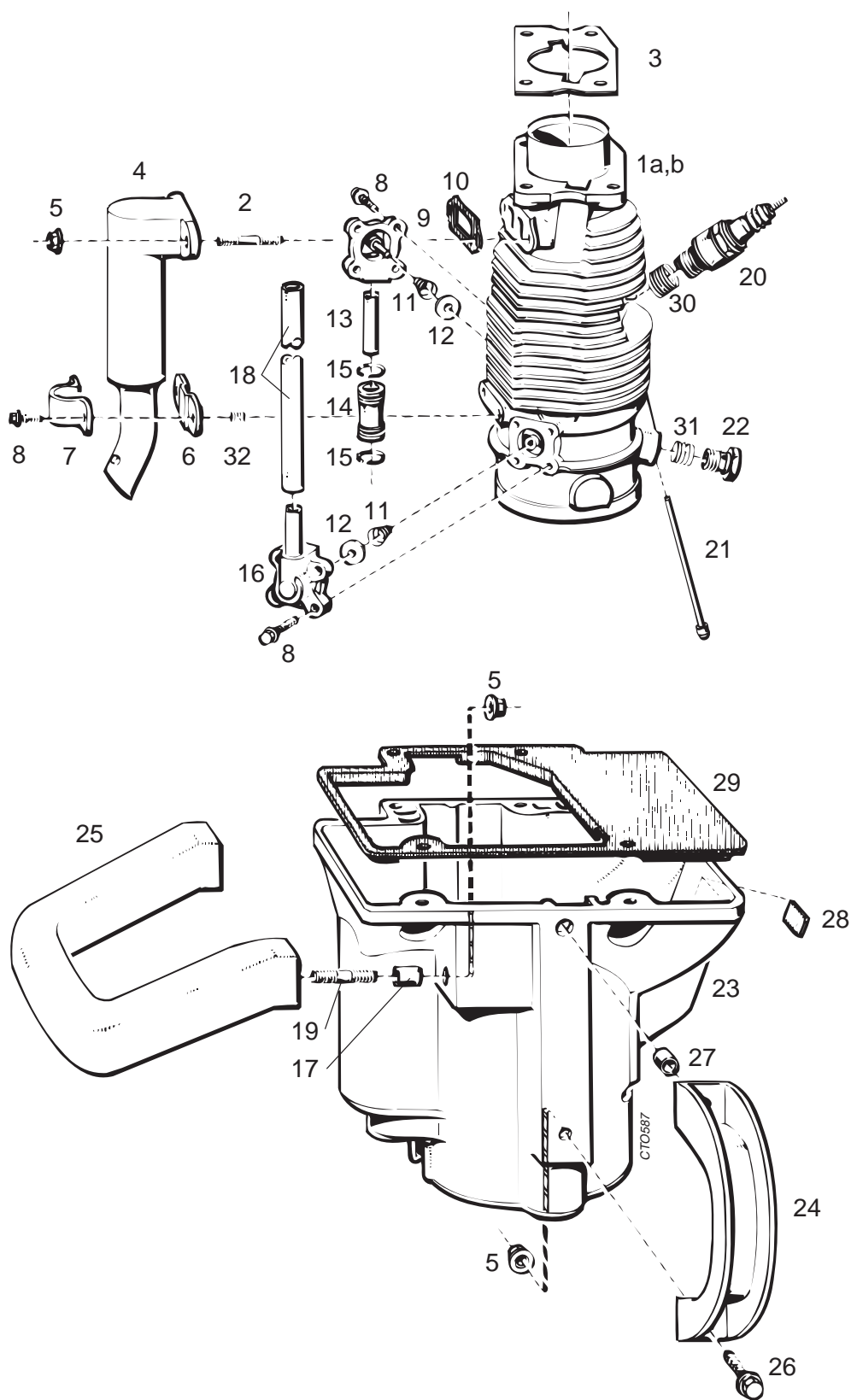
See page
Voir page



J

C

Pionjär 120/130/140/150



| Fig. No. No. de fig. Abb. Nr. Núm de fig.. Fig. No No rif. Fig. Nr Αριθ Σχ. Kuva nr. Fig. nr. Fig. nr. Fig. nr. | Ordering No Référence Bestellnummer Núm. pedido Encomenda No No Cat. Bestel nr. Αριθ. Παραγγελίας Tilaus nro. Bestillingsnummer Bestillingsnummer Best. nummer | Quantity Quantité Anzahl Cantidad Qvantidade Quantitá Aantal Ποσότητα Lukumäärä Antal Antall Antal | Description Description Beschreibung Description Descrição Description Omschrijving Περιγραφή Nimitys Beskrivelse Beskrivelse Beskrivning | Contents Sommaire Inhalt Indice Conteúdo Contenuto Inhoud Περιεχόμενα Sisältö Indhold Innhold Innehåll | Dimensions Dimensions Abmessungen Dimensiones Dimensões Dimensioni Afmetingen Διαστάσεις Mitat Dimensioner Dimensjoner Dimensioner |
|--|---|---|--|---|---|
| 1a | 9232 1808 12 | 1 | Cylinder assy | C1a, C2 | Iron: Pionjär 120/130 |
| 1a | - | 1 | Cylinder | *) | Iron: Pionjär 120/130 |
| 1b | 9232 1808 62 | 1 | Cylinder assy | C1b, C2, C30–32 | Alu: Pionjär 140/150 |
| 1b | - | 1 | Cylinder | *) | Alu: Pionjär 140/150 |
| 2 | 9232 0116 60 | 2 | Stud | D13, F25 | 6x28 mm |
| 3 | 9232 1202 50 | 1 | Gasket | **) | |
| 4 | 9232 1802 62 | 1 | Exhaust pipe assy | C4–8, C10 | |
| 4 | - | 1 | Exhaust pipe | *) | |
| 5 | 9232 0207 50 | 6 | Nut | D12, F26 | M6, DIN 6927 |
| 6 | 9232 1806 60 | 1 | Clip | | |
| 7 | 9232 1802 70 | 1 | Clip | | |
| 8 | 9232 0116 40 | 10 | Screw | | M 5x14 mm |
| 9 | 9232 1902 52 | 1 | Valve body assy | C8–9, C11–12 | |
| 9 | - | 1 | Valve body | *) | |
| 10 | 9232 1214 20 | 1 | Gasket | **) | |
| 11 | 9232 0401 90 | 2 | Spring | | |
| 12 | 9232 1900 40 | 2 | Valve washer | | |
| 13 | 9232 1401 40 | 1 | Tube | | |
| 14 | 9232 1401 31 | 1 | Rubber hose assy | **), C14–15 | |
| 14 | - | 1 | Rubber hose | *) | |
| 15 | 9232 0503 50 | 2 | Lock ring | | |
| 16 | 9232 1902 92 | 1 | Valve body assy | C8, C11–12, C16 | |
| 16 | - | 1 | Valve body | *) | |
| 17 | 9232 0904 90 | 2 | Bushing | | |
| 18 | 9232 1401 20 | 1 | Rubber hose | | |
| 19 | 9232 0116 70 | 2 | Stud | D5, F22 | 6x35 mm |
| 20 | 9232 2606 70 | 1 | Spark plug | E8, H5 | Motorcraft AE6 Bosch W7AC |
| 21 | 9232 1802 11 | 1 | Cleaning needle | | |
| 22 | 9232 1900 51 | 1 | Gas duct valve | | |
| 23 | 9232 2005 41 | 1 | Cylinder jacket assy | C5, C17, C19, C23–C28 | |
| 23 | - | 1 | Cylinder jacket | *) | |
| 24 | 9232 2003 11 | 1 | Handle assy | C5, C24, C26–27 | |
| 24 | - | 1 | Handle | *) | |
| 25 | 9232 2005 32 | 1 | Side handle assy | C5, C17, C19, C25 | |
| 25 | - | 1 | Side handle | *) | |
| 26 | 9232 0115 30 | 2 | Bolt | | 6x20 mm |
| 27 | 9232 0903 50 | 1 | Bushing | D22 | |
| 28 | 9232 2216 80 | 1 | Label | | 1.5 mm |
| 29 | 9232 1210 60 | 1 | Gasket | **) | |
| 30 | 9232 1802 40 | 1 | Thread insert | | M 14x1.25x12 mm |
| 31 | 9232 1808 80 | 1 | Thread insert | | M 16x1.25x8 mm |
| 32 | 9232 1808 70 | 2 | Thread insert | | M 5x0.8x10 mm |

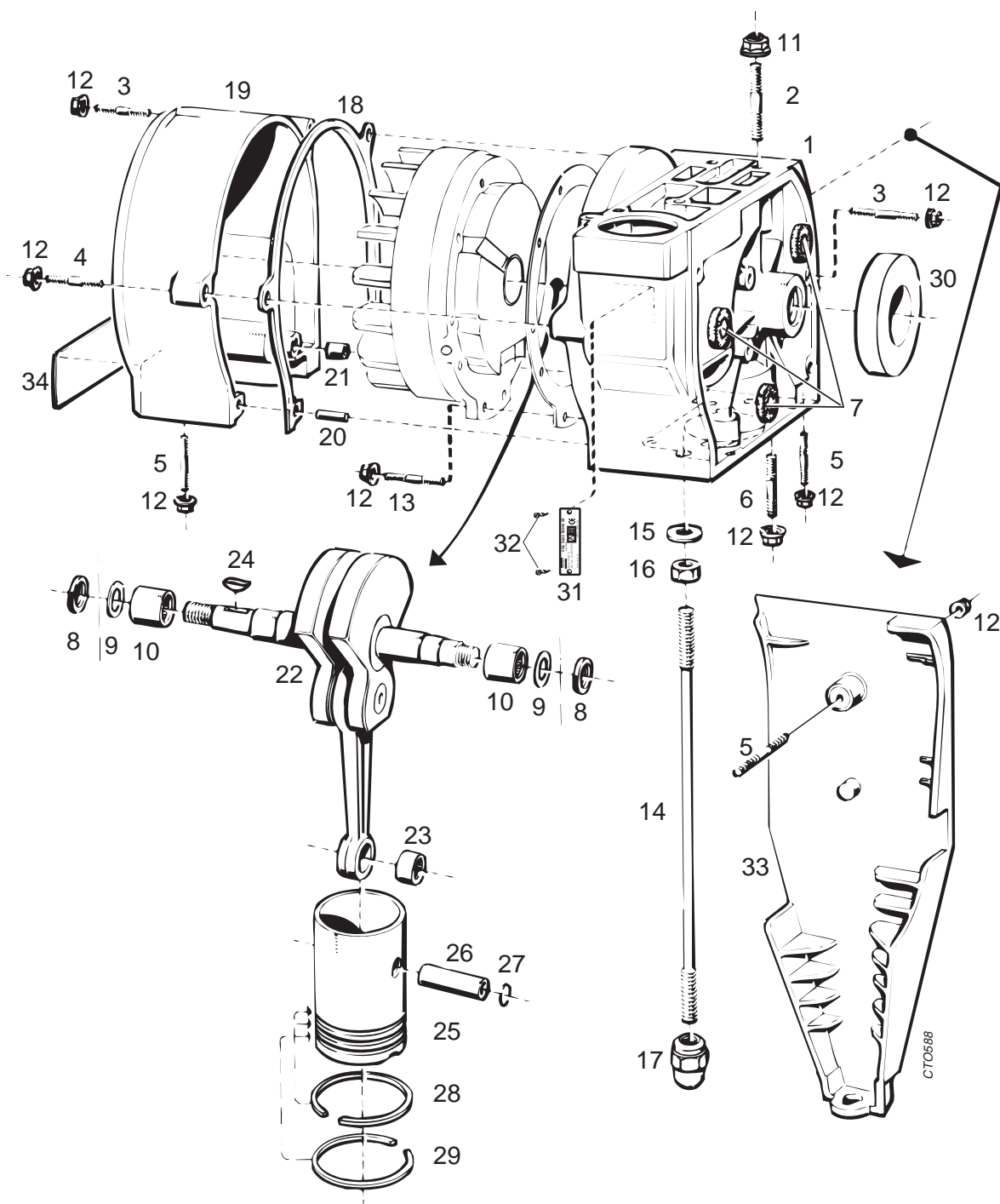
C

□ *) **) ***) ****)

➔ See page
Voir page **J**

D

Pionjär 120/130/140/150



| Fig. No. No. de fig. Abb. Nr. Núm de fig.. Fig. No No rif. Fig. Nr Αριθ Σχ. Kuva nr. Fig. nr. Fig. nr. Fig. nr. | Ordering No Réfrence Bestellnummer Núm. pedido Encomenda No No Cat. Bestel nr. Αριθ. Παραγγελίας Tilaus nro. Bestillingsnummer Bestillingsnummer Best. nummer | Quantity Quantité Anzahl Cantidad Qvantidade Quantitá Aantal Ποσότητα Lukumäärä Antal Antall Antal | Description Description Beschreibung Descripción Descrição Descripción Omschrijving Περιγραφή Nimitys Beskrivelse Beskrivelse Beskrivning | Contents Sommaire Inhalt Indice Conteúdo Contenuto Inhoud Περιεχόμενα Sisältö Indhold Innhold Innehåll | Dimensions Dimensions Abmessungen Dimensiones Dimensões Dimensioni Afmetingen Διαστάσεις Mitat Dimensioner Dimensjoner Dimensioner |
|--|--|---|--|---|---|
| 1 | 9232 2213 22 | 1 | Crankcase assy | D1–7, D9–10, D13, D21–22 | |
| 1 | – | 1 | Crankcase | *) | |
| 2 | 9232 0116 30 | 3 | Stud | | 8x70 mm |
| 3 | 9232 0116 80 | 4 | Stud | | 6x45 mm |
| 4 | 9232 0116 90 | 1 | Stud | | 6x52 mm |
| 5 | 9232 0116 70 | 4 | Stud | C19, F22 | 6x35 mm |
| 6 | 9232 0116 20 | 4 | Stud | | 8x42 mm |
| 7 | 9232 2214 50 | 3 | Rubber cushion | | |
| 8 | 9232 1200 70 | 2 | Retainer ring | | 20x30x7 mm |
| 9 | 9232 1003 10 | 2 | Spacer washer | | 22.5x30x0.5 mm |
| 10 | 9232 1003 02 | 2 | Needle bearing assy | D8-10 | 22x30x26 mm |
| 10 | – | 2 | Needle bearing | *) | |
| 11 | 9232 0208 00 | 7 | Nut | | M8, DIN 6927 |
| 12 | 9232 0207 50 | 19 | Nut | C5, F26 | M6, DIN 6927 |
| 13 | 9232 0116 60 | 10 | Stud | C2, F25 | 6x28 mm |
| 14 | 9232 0111 60 | 2 | Draw bolt | | |
| 15 | 9232 0308 40 | 2 | Spring washer | | |
| 16 | 9232 0206 10 | 2 | Nut | | |
| 17 | 9232 0206 00 | 2 | Dome nut | | |
| 18 | 9232 1210 70 | 1 | Gasket | | |
| 19 | 9232 2212 01 | 1 | Fan cover assy | D5, D20, D34 | |
| 19 | – | 1 | Fan cover | *) | |
| 20 | 9232 0601 00 | 1 | Pin | F23 | 6x16 mm |
| 21 | 9232 0903 50 | 1 | Bushing | C27 | |
| 22 | 9232 2214 12 | 1 | Crankshaft assy | D22–24 | |
| 22 | – | 1 | Crankshaft | *) | |
| 23 | 9232 1000 70 | 1 | Needle bearing | | DKH 1516 |
| 24 | 9232 2214 20 | 1 | Key | | |
| 25 | 9232 2204 21 | 1 | Engine piston assy | D25–29 | |
| 25 | – | 1 | Engine piston | *) | |
| 26 | 9232 2204 10 | 1 | Gudgeon pin | | |
| 27 | 9232 0501 10 | 2 | Lock ring | | |
| 28 | 9232 2203 81 | 1 | Piston ring set | D28–29 | |
| 28 | 9232 2203 80 | 2 | Piston ring | | |
| 29 | 9232 2204 00 | 1 | Piston ring | | |
| 30 | 9232 1202 90 | 1 | Retainer ring | | |
| 31 | 9232 2237 91 | 1 | CE plate | D31, D32 | |
| 31 | - | 1 | Plate | | |
| 32 | - | 2 | Rivet | | |
| 33 | 9232 2219 90 | 1 | Wearing plate | | |
| 34 | 9232 2232 40 | 1 | Label | | Pionjär |



*) **) ***) *****)

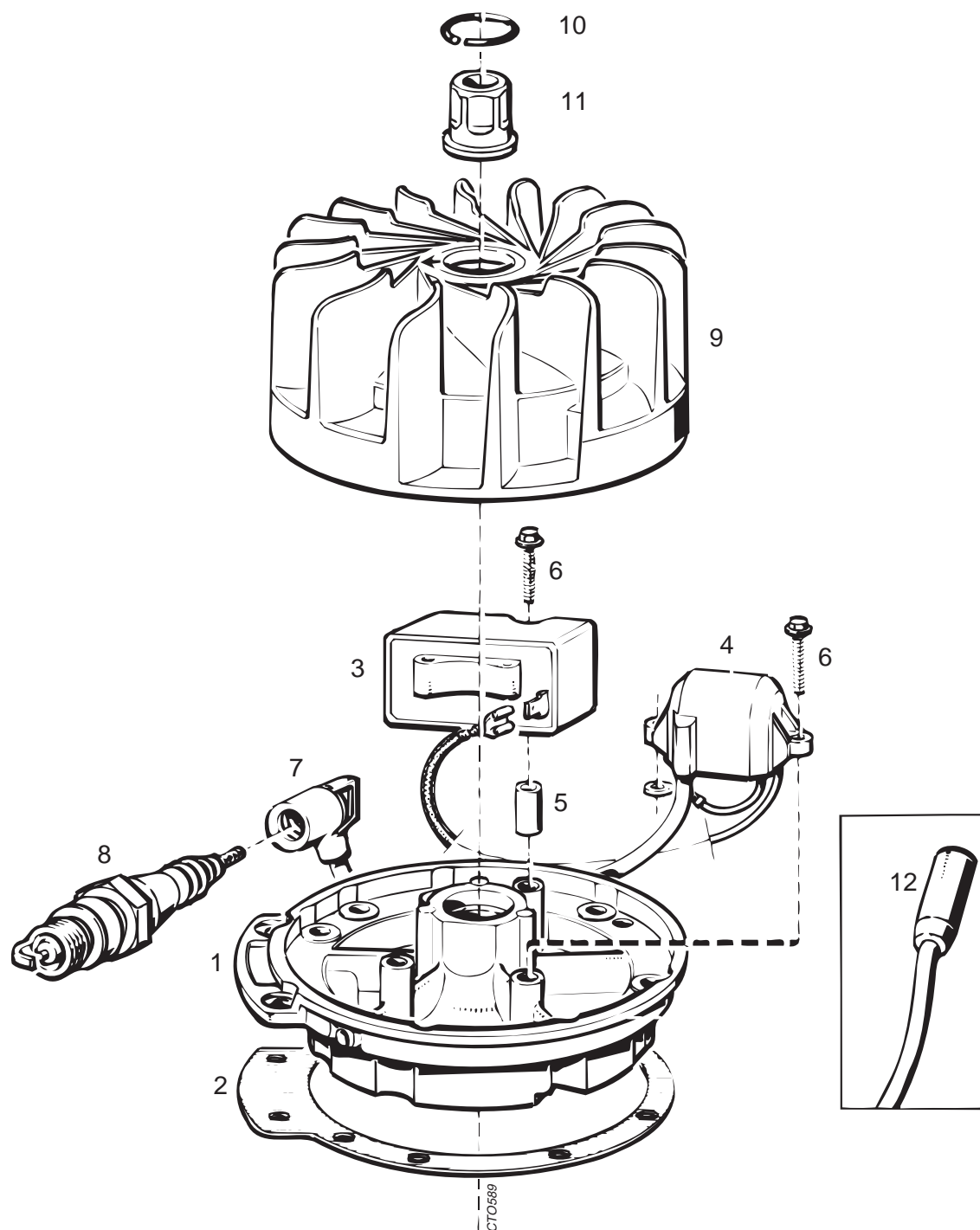


See page
Voir page



E

Pionjär 120/130/140/150



| Fig. No. No. de fig. Abb. Nr. Núm de fig.. Fig. No No rif. Fig. Nr Αριθ Σχ. Kuva nr. Fig. nr. Fig. nr. Fig. nr. | Ordering No Référéce Bestellnummer Núm. pedido Encomenda No No Cat. Bestel nr. Αριθ. Παραγγελίας Tilaus nro. Bestillingsnummer Bestillingsnummer Best. nummer | Quantity Quantité Anzahl Cantidad Qvantidade Quantitá Aantal Ποσότητα Lukumäärä Antal Antall Antal | Description Description Beschreibung Beschreibung Descripción Descripción Omschrijving Περιγραφή Nimitys Beskrivelse Beskrivelse Beskrivning | Contents Sommaire Inhalt Indice Conteúdo Contenuto Inhoud Περιεχόμενα Sisältö Indhold Innhold Innehåll | Dimensions Dimensions Abmessungen Dimensiones Dimensões Dimensioni Afmetingen Διαστάσεις Mitat Dimensioner Dimensioner Dimensioner |
|--|--|---|---|---|---|
| 1 | 9232 2213 42 | 1 | Crankcase cover assy | E1, E5, E[10] | |
| 1 | - | 1 | Crankcase cover | *) | |
| 2 | 9232 1202 60 | 1 | Gasket | **) | |
| 3 | 9232 2605 71 | 1 | Electronic unit assy | E3, E5-6 | |
| 3 | - | 1 | Electronic unit | *) | |
| 4 | 9232 2609 01 | 1 | Induction coil assy | E4, E6-7 | |
| 4 | - | 1 | Induction coil | *) | |
| 5 | 9232 0903 40 | 1 | Bushing | | |
| 6 | 9232 0115 40 | 4 | Bolt | | 5x28 mm |
| 7 | 9232 2606 60 | 1 | Cable terminal | | |
| 8 | 9232 2606 70 | 1 | Spark plug | C20, H5 | Motorcraft AE6 Bosch W7AC |
| 9 | 9232 2213 51 | 1 | Flywheel assy | E9-11 | |
| 9 | - | 1 | Flywheel | *) | |
| 10 | 9232 0504 20 | 1 | Lock ring | | |
| 11 | 9232 0208 10 | 1 | Flywheel nut | | |
| 12 | 9232 2607 20 | 1 | Ignition cable | | |



*) **) ***) ****)

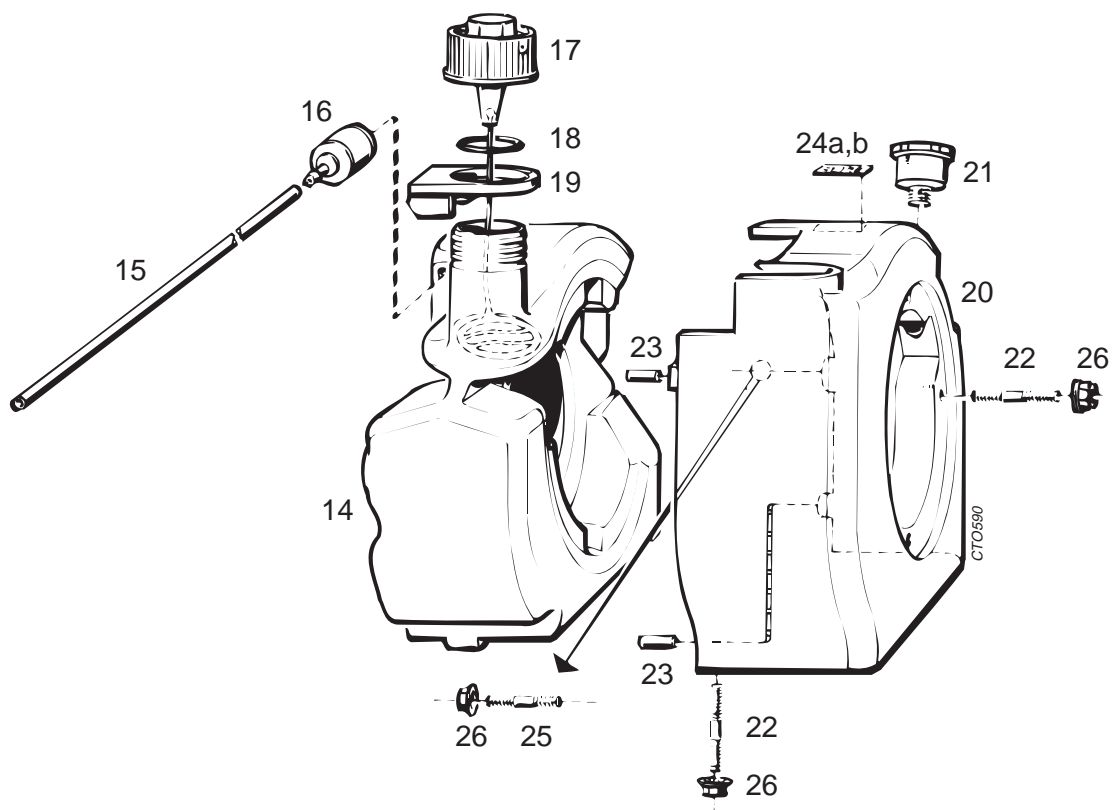
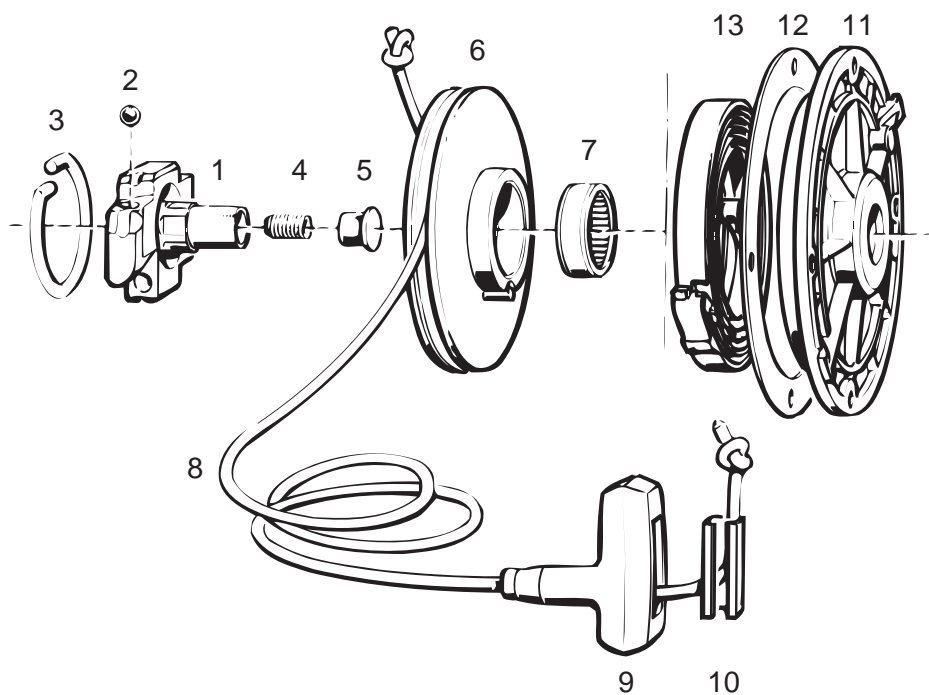


See page
Voir page

J

F

Pionjär 120/130/140/150



| Fig. No. No. de fig. Abb. Nr. Núm de fig.. Fig. No No rif. Fig. Nr Αριθ Σχ. Kuva nr. Fig. nr. Fig. nr. Fig. nr. | Ordering No Réfrence Bestellnummer Núm. pedido Encomenda No No Cat. Bestel nr. Αριθ. Παραγγελίας Tilaus nro. Bestillingsnummer Bestillingsnummer Best. nummer | Quantity Quantité Anzahl Cantidad Qvantidade Quantità Aantal Ποσότητα Lukumäärä Antal Antall Antal | Description Description Beschreibung Descripción Descriçao Descripción Omschrijving Περιγραφή Nimitys Beskrivelse Beskrivelse Beskrivning | Contents Sommaire Inhalt Indice Conteúdo Contenuto Inhoud Περιεχόμενα Sisältö Indhold Innhold Innehåll | Dimensions Dimensions Abmessungen Dimensiones Dimensões Dimensioni Afmetingen Διαστάσεις Mitat Dimensioner Dimensjoner Dimensioner |
|--|--|---|--|---|---|
| 1 | 9232 2401 01 | 1 | Clutch assy | F1-4 | |
| 1 | - | 1 | Clutch | *) | |
| 2 | 9232 1300 20 | 4 | Ball | | D=8 mm |
| 3 | 9232 0501 20 | 1 | Snap ring | | |
| 4 | 9232 0104 30 | 1 | Stop screw | | 12x16 mm |
| 5 | 9232 2204 30 | 1 | Rubber plug | E13 | |
| 6 | 9232 2405 01 | 1 | Starter pulley assy | F6-7 | |
| 6 | - | 1 | Starter pulley | *) | |
| 7 | 9232 1003 80 | 1 | Needle bearing | | 31.932x38.1x12.7 mm |
| 8 | 9232 2405 11 | 1 | Rope set | F8-10 | |
| 8 | 9232 2405 10 | 1 | Starter rope | H6 | 4x1350 mm |
| 9 | 9232 2405 20 | 1 | Starter handle | | |
| 10 | 9232 2405 30 | 1 | Rope bracket | | |
| 11 | 9232 2205 02 | 1 | Starter cover | | |
| 12 | 9232 1202 70 | 1 | Gasket | **) | |
| 13 | 9232 2406 61 | 1 | Spring assy | | |
| 13 | 9232 2406 60 | 1 | Spring cassette | | |
| 14 | 9232 2308 81 | 1 | Fuel tank assy | F14-19 | |
| 14 | - | 1 | Fuel tank | *) | |
| 15 | 9232 2304 60 | 1 | Fuel tube | | L=325 mm |
| 16 | 9232 2306 00 | 1 | Fuel filter | | |
| 17 | 9232 2308 41 | 1 | Tank cap assy | F17-18 | |
| 17 | - | 1 | Tank cap | *) | |
| 18 | 9232 1214 50 | 1 | O-ring | | 24.6x2.4 mm |
| 19 | 9232 2308 70 | 1 | Fuel plate | | |
| 20 | 9232 2309 22 | 1 | Tank cover assy | F20-23, F25 | |
| 20 | - | 1 | Tank cover | *) | |
| 21 | 9232 0903 60 | 1 | Bushing | | |
| 22 | 9232 0116 70 | 5 | Stud | C19, D5 | 6x35 mm |
| 23 | 9232 0601 00 | 2 | Pin | D21 | 6x16 mm |
| 24a | 9232 2218 30 | 1 | Label | | 8% (1:12) |
| 24b | 9232 2217 50 | 1 | Label | | 5% (1:20) |
| 25 | 9232 0116 60 | 1 | Stud | C2, D13 | 6x28 mm |
| 26 | 9232 0207 50 | 6 | Nut | C5, D12 | M6 DIN 6927 |



*) **) ***) ****)



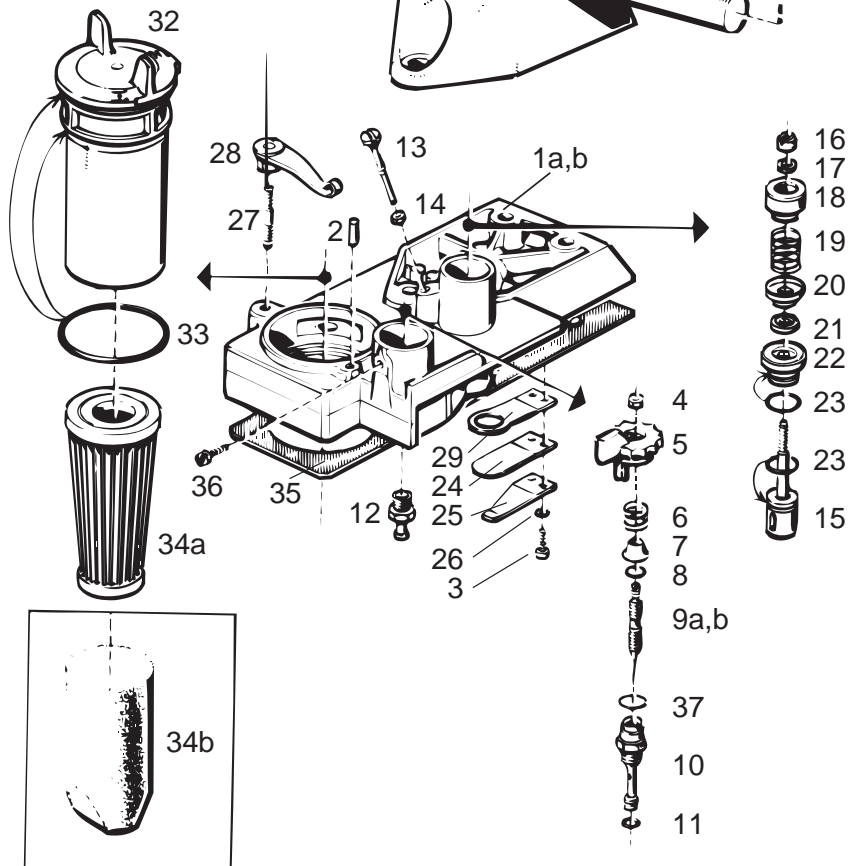
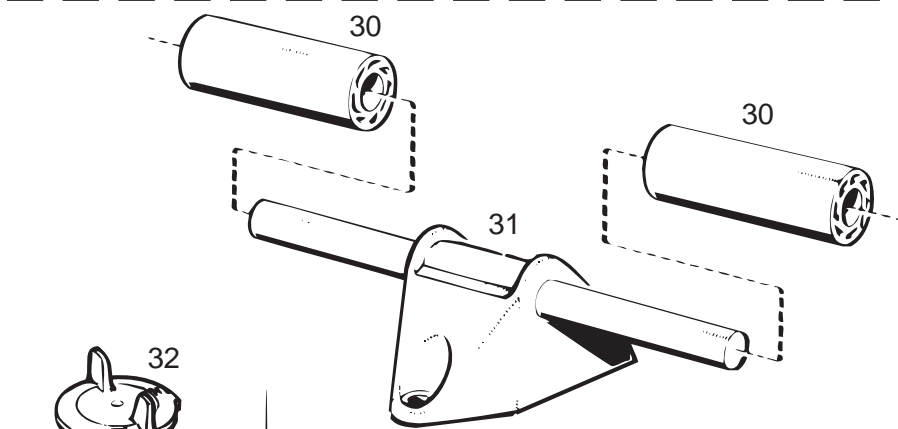
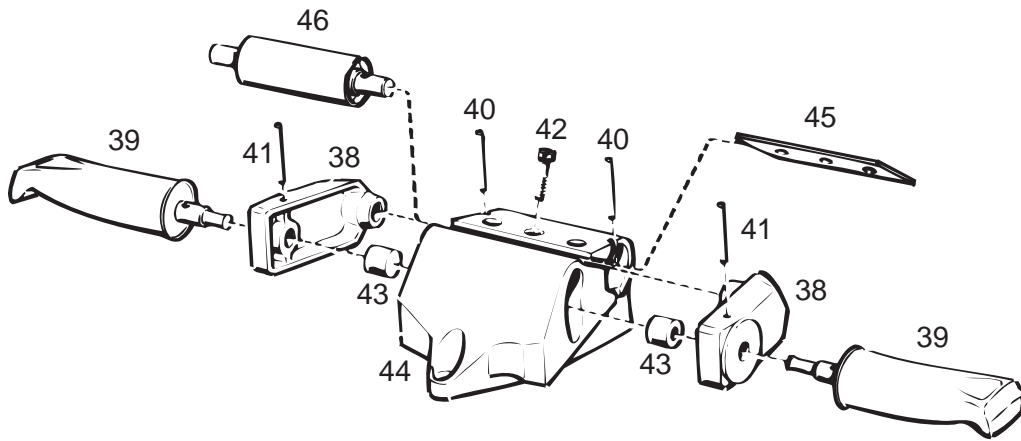
See page
Voir page



J

G

Pionjär 120/130/140/150



| Fig. No. No. de fig. Abb. Nr. Núm de fig.. Fig. No No rif. Fig. Nr Αριθ Σχ. Kuva nr. Fig. nr. Fig. nr. Fig. nr. | Ordering No Référéce Bestellnummer Núm. pedido Encomenda No No Cat. Bestel nr. Αριθ. Παραγγελίας Tilaus nro. Bestillingsnummer Bestillingsnummer Best. nummer | Quantity Quantité Anzahl Cantidad Qvantidade Quantitá Aantal Ποσότητα Lukumäärä Antal Antall Antal | Description Description Beschreibung Descripción Descriçao Descripción Omschrijving Περιγραφή Nimitys Beskrivelse Beskrivelse Beskrivning | Contents Sommaire Inhalt Indice Conteúdo Contenuto Inhoud Περιεχόμενα Sisältö Indhold Innhold Innehåll | Dimensions Dimensions Abmessungen Dimensiones Dimensões Dimensioni Afmetingen Διαστάσεις Mitat Dimensioner Dimensjoner Dimensioner |
|--|--|---|--|---|---|
| 1a | 9232 2509 62 | 1 | Control body assy | G1–3, G9a,G11–29, G35–37 | Pionjär 120/130 |
| 1b | 9232 2521 52 | 1 | Control body assy | G1–3, G9b, G11–29, G35–37 | Pionjär 140/150 |
| 1 | – | 1 | Control body | *) | |
| 2 | 9232 0601 20 | 1 | Pin | | 6x14 mm |
| 3 | 9232 0101 60 | 4 | Screw | G37b | 4x10 mm |
| 4 | 9232 0201 30 | 1 | Nut | | M4 |
| 5 | 9232 2521 40 | 1 | Wing nut | | Pionjär 140/150 |
| 6 | 9232 0402 20 | 1 | Spring | | |
| 7 | 9232 0304 70 | 1 | Retainer cup | | |
| 8 | 9232 1203 60 | 1 | O-ring | **) | 4.48x1.78 mm |
| 9a | 9232 2509 21 | 1 | Fuel needle assy | G4, G5a, G6–10,G37 | Pionjär 120/130 |
| 9b | 9232 2521 61 | 1 | Fuel needle assy | G4, G5b–10, G37 | Pionjär 140/150 |
| 9 | 9232 2509 20 | 1 | Fuel needle | | |
| 10 | 9232 2510 11 | 1 | Nozzle assy, upper | G10–11 | |
| 10 | – | 1 | Nozzle, upper | *) | |
| 11 | 9232 1209 90 | 1 | O-ring | **) | |
| 12 | 9232 2510 20 | 1 | Nozzle, lower | | |
| 13 | 9232 0104 90 | 1 | Adjusting screw | | |
| 14 | 9232 0201 40 | 1 | Nut | | M5 |
| 15 | 9232 2509 01 | 1 | Throttle set | G15–23 | |
| 15 | 9232 2509 11 | 1 | Throttle assy | G15, G23 | |
| 16 | 9232 0202 60 | 1 | Nut | | |
| 17 | 9232 0300 60 | 1 | Spring washer | | |
| 18 | 9232 2502 70 | 1 | Throttle button | | |
| 19 | 9232 0402 10 | 1 | Spring | | |
| 20 | 9232 2502 80 | 1 | Spring seat | | |
| 21 | 9232 1201 30 | 1 | Retainer ring | | |
| 22 | 9232 2504 80 | 1 | Guide plate | | |
| 23 | 9232 1203 70 | 2 | O-ring | **) | 13.3x2.4 mm |
| 24 | 9232 1900 21 | 1 | Leaf valve set | G3, G24–26, G29 | |
| 24 | 9232 1900 20 | 2 | Leaf valve | | |
| 25 | 9232 1901 40 | 2 | Support | | |
| 26 | 9232 0302 10 | 4 | Lock washer | | |
| 27 | 9232 0116 50 | 1 | Stud | | 6x25 mm |
| 28 | 9232 0404 91 | 1 | Lock clip | | |
| 29 | 9232 1907 20 | 2 | Valve sheet | | |
| 30 | 9232 1406 60 | 2 | Handle | | Pionjär 120/130 |
| 31 | 9232 2509 72 | 1 | Handle assy | G30–31 | Pionjär 120/130 |
| 31 | – | 1 | Handle | *) | |
| 32 | 9232 2521 31 | 1 | Filter housing assy | G32–34a | |
| 32 | 9232 2510 80 | 1 | Filter housing | | |
| 33 | 9232 1203 40 | 2 | O-ring | | 49.5x3 mm |
| 34a | 9232 2521 00 | 1 | Filter element | | Standard |



*) **) ***) *****)

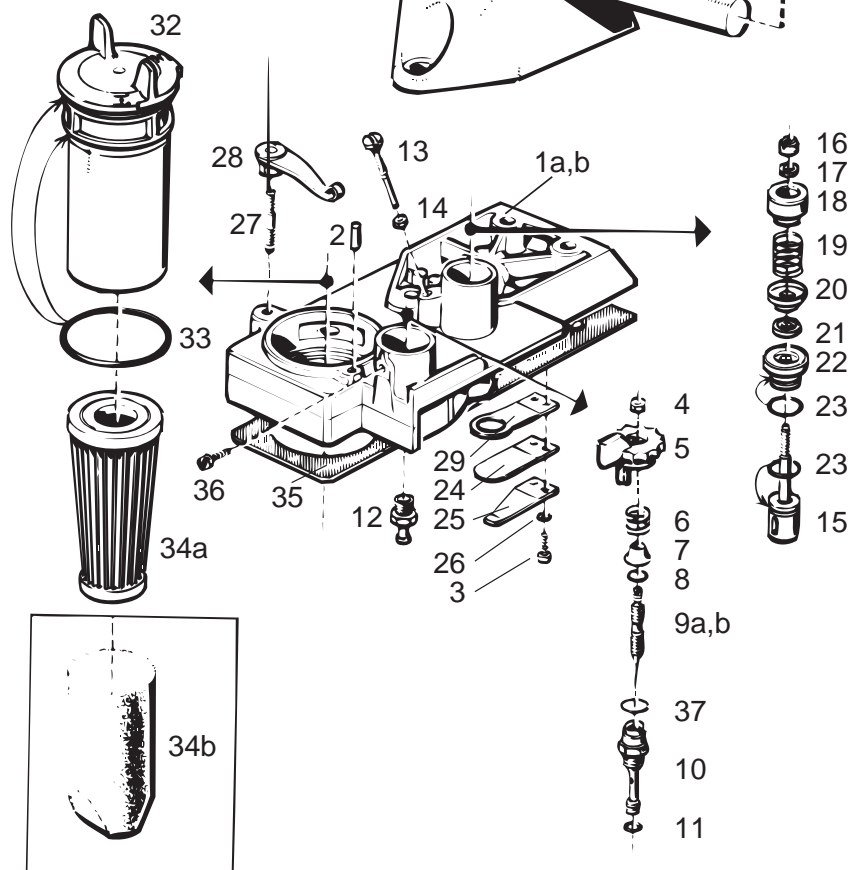
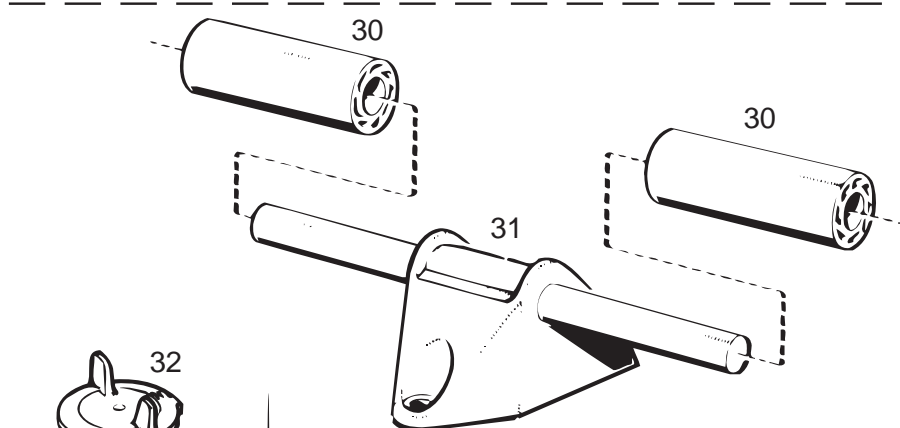
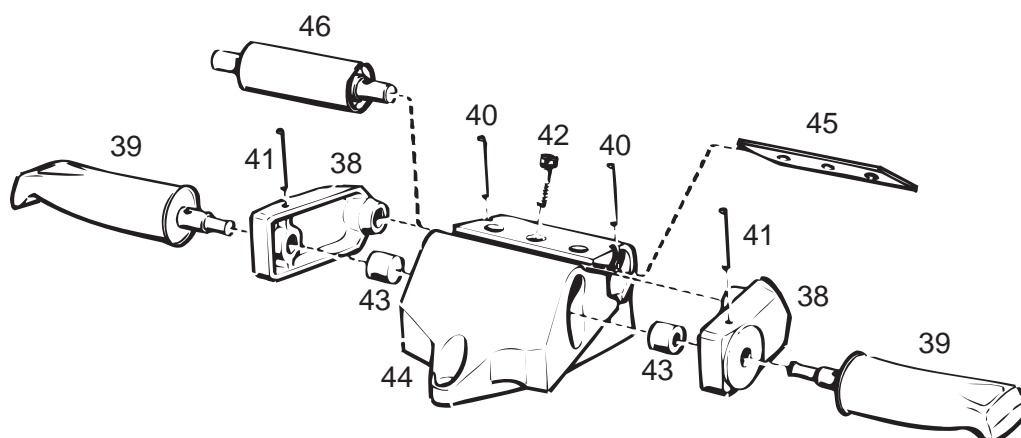


See page
Voir page



G

Pionjär 120/130/140/150



| Fig. No. No. de fig. Abb. Nr. Núm de fig.. Fig. No No rif. Fig. Nr Αριθ Σχ. Kuva nr. Fig. nr. Fig. nr. Fig. nr. | Ordering No Réfrence Bestellnummer Núm. pedido Encomenda No No Cat. Bestel nr. Αριθ. Παραγγελίας Tilaus nro. Bestillingsnummer Bestillingsnummer Best. nummer | Quantity Quantité Anzahl Cantidad Qvantidade Quantitá Aantal Ποσότητα Lukumäärä Antal Antall Antal | Description Description Beschreibung Descripción Descriçao Descripción Omschrijving Περιγραφή Nimitys Beskrivelse Beskrivelse Beskrivning | Contents Sommaire Inhalt Indice Conteúdo Contenuto Inhoud Περιεχόμενα Sisältö Indhold Innhold Innehåll | Dimensions Dimensions Abmessungen Dimensiones Dimensões Dimensioni Dimensionen Διαστάσεις Mitat Dimensioner Dimensioner Dimensioner |
|--|--|---|--|---|--|
| 34b | 9232 2505 10 | 1 | Filter element | | Optional |
| 35 | 9232 1210 00 | 1 | Gasket | **) | |
| 36 | 9232 0124 90 | 1 | Screw | | 4x14 mm |
| 37 | 9232 1218 80 | 1 | O-ring | **) | 6.1x1.6 mm |
| <u>38</u> | 9232 1411 11 | 2 | Handle arm assy | G38-41,G43 | Pionjär 140/150 |
| 38 | 9232 1411 10 | 2 | Handle arm | | Pionjär 140/150 |
| 39 | 9232 1409 90 | 2 | Handle | | Pionjär 140/150 |
| 40 | 9232 0608 30 | 2 | Pin | | Pionjär 140/150 5x22 mm |
| 41 | 9232 0607 30 | 2 | Pin | | Pionjär 140/150 4x22 mm |
| 42 | 9232 0124 30 | 3 | Screw | | Pionjär 140/150 6x20 mm |
| 43 | 9232 1410 40 | 2 | Rubber cushion | | Pionjär 140/150 |
| <u>44</u> | 9232 2520 91 | 1 | Bracket assy | G38-46 | Pionjär 140/150 |
| 45 | 9232 0311 60 | 1 | Support plate | | Pionjär 140/150 |
| 46 | 9232 1411 21 | 1 | Spring shaft | | Pionjär 140/150 |



*) **) ***) ****)

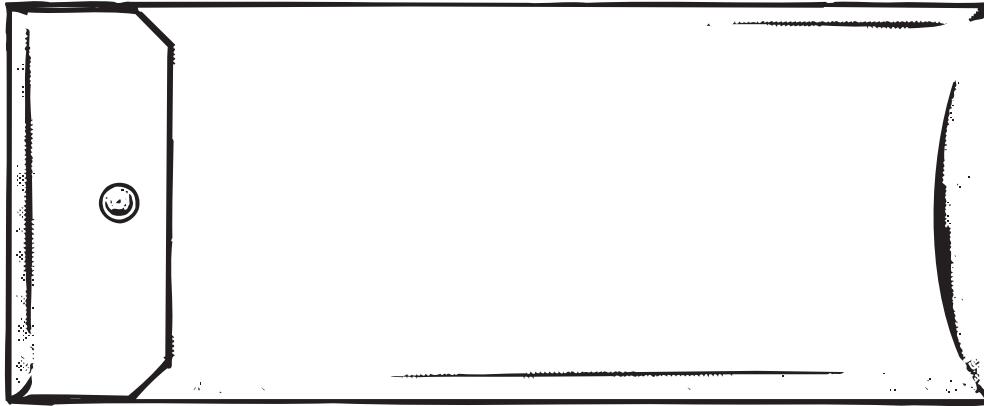


See page
Voir page

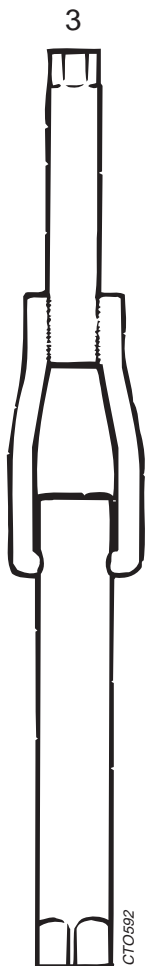
J

H

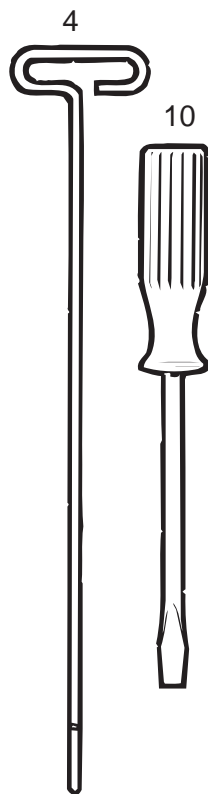
Pionjär 120/130/140/150



2



3



4

10

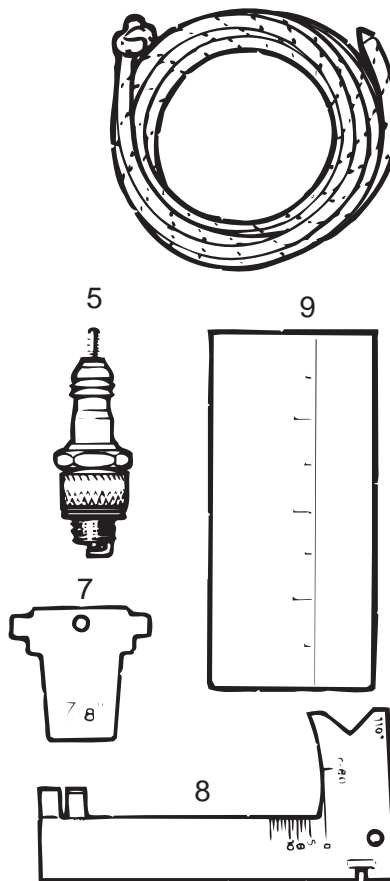
6

5

9

7

8



CTO592

| Fig. No. No. de fig. Abb. Nr. Núm de fig.. Fig. No No rif. Fig. Nr Αριθ Σχ. Kuva nr. Fig. nr. Fig. nr. Fig. nr. | Ordering No Référence Bestellnummer Núm. pedido Encomenda No No Cat. Bestel nr. Αριθ. Παραγγελίας Tilaus nro. Bestillingsnummer Bestillingsnummer Best. nummer | Quantity Quantité Anzahl Cantidad Qvantidade Quantitá Aantal Ποσότητα Lukumäärä Antal Antall Antall | Description Description Beschreibung Beschreibung Descripción Descripción Descrição Descripción Omschrijving Περιγραφή Nimitys Beskrivelse Beskrivelse Beskrivning | Contents Sommaire Inhalt Indice Conteúdo Contenuto Inhoud Περιεχόμενα Sisältö Indhold Innhold Innehåll | Dimensions Dimensions Abmessungen Dimensiones Dimensões Dimensioni Dimensionen Διαστάσεις Mitat Dimensioner Dimensjoner Dimensjoner |
|--|---|--|---|---|--|
| 1a | 9238 2713 90 | 1 | Machine box | ***) | Pionjär 120/130 820x370x285 mm |
| 1b | 9238 2742 91 | 1 | Machine box | ***) | Pionjär 140/150 850x350x55 0mm |
| 2 | 9238 2718 11 | 1 | Tool bag assy | H2-10 | |
| 2 | 9238 2710 20 | 1 | Tool bag | | |
| 3 | 9238 2714 00 | 1 | Socket wrench | | 10/21 mm |
| 4 | 9238 2701 00 | 1 | Cleaning needle | | |
| 5 | 9232 2606 70 | 1 | Spark plug | C20, E8 | Motorcraft AE6 Bosch W7AC |
| 6 | 9232 2405 10 | 1 | Starter rope | F8 | 4x1350 mm |
| 7 | 9238 2707 90 | 1 | Chuck template | | 22 mm |
| 8 | 9238 2708 10 | 1 | Grinding template | | |
| 9 | 9238 2718 40 | 1 | Oil measure | | |
| 10 | 9238 2718 00 | 1 | Screw driver | | 5.5 mm |



*) **) ***) ****)



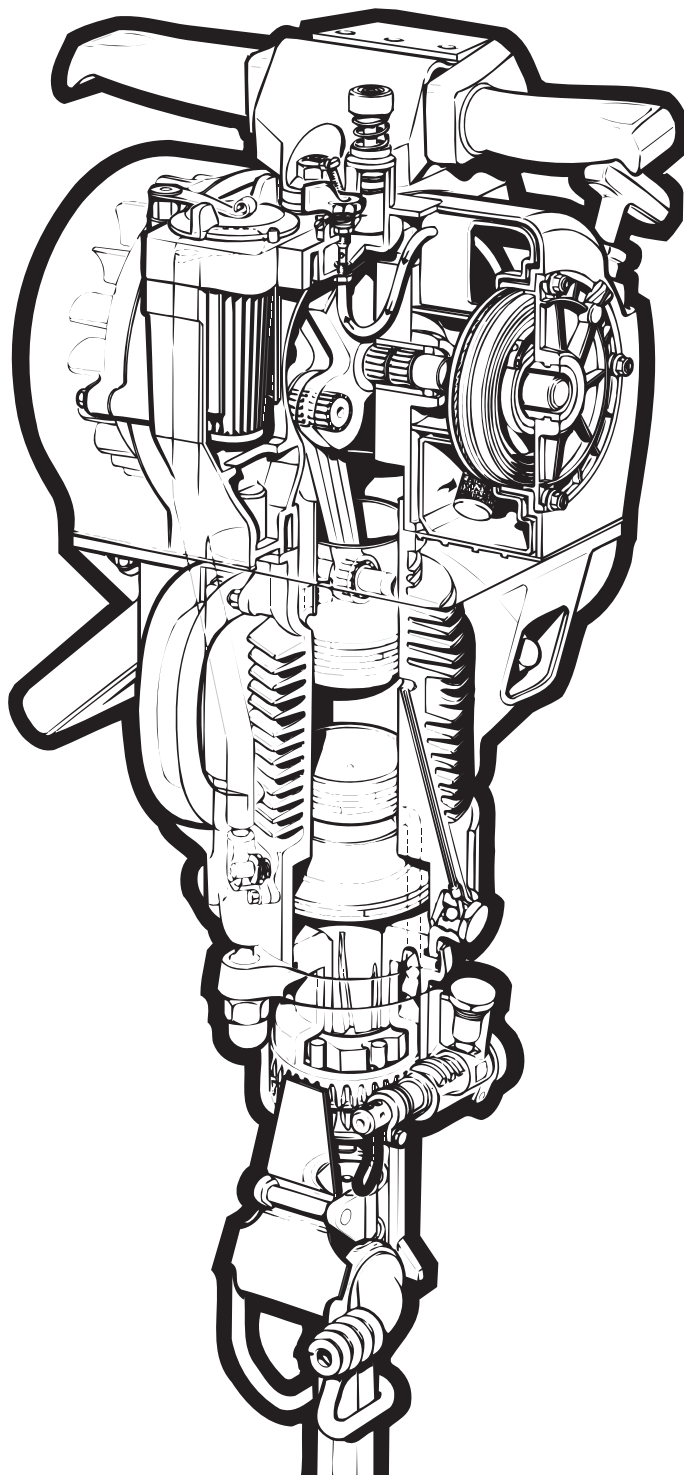
See page
Voir page



J

I

Pionjär 140



| Part Number | Fig. | Part Number | Fig. | Part Number | Fig. | Part Number | Fig. |
|--------------|------|--------------|------|--------------|------|--------------|------|
| 9232 0101 60 | G3 | 9232 0903 50 | C27 | 9232 1802 40 | C30 | 9232 2309 22 | F20 |
| 9232 0104 30 | F4 | | D21 | 9232 1802 62 | C4 | 9232 2401 01 | F1 |
| 9232 0104 90 | G13 | 9232 0903 60 | F21 | 9232 1802 70 | C7 | 9232 2405 01 | F6 |
| 9232 0111 60 | D14 | 9232 0904 90 | C17 | 9232 1806 60 | C6 | 9232 2405 10 | F8 |
| 9232 0113 00 | A17 | 9232 1000 70 | D23 | 9232 1808 12 | C1a | | H6 |
| 9232 0115 30 | C26 | 9232 1003 02 | D10 | 9232 1808 62 | C1b | 9232 2405 11 | F8 |
| 9232 0115 40 | E6 | 9232 1003 10 | D9 | 9232 1808 70 | C32 | 9232 2405 20 | F9 |
| 9232 0116 20 | D6 | 9232 1003 80 | F7 | 9232 1808 80 | C31 | 9232 2405 30 | F10 |
| 9232 0116 30 | D2 | 9232 1200 70 | D8 | 9232 1900 20 | G24 | 9232 2406 60 | F13 |
| 9232 0116 40 | C8 | 9232 1201 30 | G21 | 9232 1900 21 | G24 | 9232 2406 61 | F13 |
| 9232 0116 50 | G27 | 9232 1201 80 | A30 | 9232 1900 40 | C12 | 9232 2502 70 | G18 |
| 9232 0116 60 | C2 | | B13 | 9232 1900 51 | C22 | 9232 2502 80 | G20 |
| | D13 | 9232 1202 50 | C3 | 9232 1901 40 | G25 | 9232 2504 80 | G22 |
| | F25 | 9232 1202 60 | E2 | 9232 1902 52 | C9 | 9232 2505 10 | G34b |
| 9232 0116 70 | C19 | 9232 1202 70 | F12 | 9232 1902 92 | C16 | 9232 2509 01 | G15 |
| | D5 | 9232 1202 90 | D30 | 9232 1907 20 | G29 | 9232 2509 11 | G15 |
| | F22 | 9232 1203 40 | G33 | 9232 2003 11 | C24 | 9232 2509 20 | G9 |
| 9232 0116 80 | D3 | 9232 1203 60 | G8 | 9232 2005 32 | C25 | 9232 2509 21 | G9a |
| 9232 0116 90 | D4 | 9232 1203 70 | G23 | 9232 2005 41 | C23 | 9232 2509 62 | G1a |
| 9232 0124 30 | G42 | 9232 1205 00 | A4 | 9232 2102 90 | A9 | 9232 2509 72 | G31 |
| 9232 0124 90 | G36 | | B4 | 9232 2102 91 | A9 | 9232 2510 11 | G10 |
| 9232 0201 30 | G4 | 9232 1207 90 | A13 | 9232 2106 21 | A7 | 9232 2510 20 | G12 |
| 9232 0201 40 | G14 | 9232 1208 20 | A21 | 9232 2106 41 | A5 | 9232 2510 80 | G32 |
| 9232 0202 60 | G16 | 9232 1208 30 | A23 | | B5 | 9232 2520 91 | G44 |
| 9232 0206 00 | D17 | 9232 1208 40 | A20 | 9232 2106 70 | A2a | 9232 2521 00 | G34a |
| 9232 0206 10 | D16 | 9232 1209 90 | G11 | | B2a | 9232 2521 31 | G32 |
| 9232 0206 61 | A16 | 9232 1210 00 | G35 | 9232 2106 90 | A2b | 9232 2521 40 | G5 |
| 9232 0207 50 | C5 | 9232 1210 31 | ** | | B2b | 9232 2521 52 | G1b |
| | D12 | 9232 1210 60 | C29 | 9232 2107 00 | A2c | 9232 2521 61 | G9b |
| | F26 | 9232 1210 70 | D18 | | B2c | 9232 2605 71 | E3 |
| 9232 0208 00 | D11 | 9232 1214 20 | C10 | 9232 2109 40 | A3 | 9232 2606 60 | E7 |
| 9232 0208 10 | E11 | 9232 1214 50 | F18 | | B3 | 9232 2606 70 | C20 |
| 9232 0300 60 | G17 | 9232 1218 80 | G37 | 9232 2109 41 | A2 | | E8 |
| 9232 0302 10 | G26 | 9232 1300 20 | F2 | | B2 | | H5 |
| 9232 0304 70 | G7 | 9232 1300 40 | A25 | 9232 2109 51 | B1 | 9232 2607 20 | E12 |
| 9232 0308 40 | D15 | 9232 1401 20 | C18 | 9232 2109 61 | A1 | 9232 2609 01 | E4 |
| 9232 0311 60 | G45 | 9232 1401 31 | C14 | 9232 2203 80 | D28 | 9238 2701 00 | H4 |
| 9232 0401 90 | C11 | 9232 1401 40 | C13 | 9232 2203 81 | D28 | 9238 2707 90 | H7 |
| 9232 0402 10 | G19 | 9232 1406 60 | G30 | 9232 2204 00 | D29 | 9238 2708 10 | H8 |
| 9232 0402 20 | G6 | 9232 1409 90 | G39 | 9232 2204 10 | D26 | 9238 2710 20 | H2 |
| 9232 0402 60 | A29 | 9232 1410 40 | G43 | 9232 2204 21 | D25 | 9238 2714 00 | H3 |
| | B12 | 9232 1411 10 | G38 | 9232 2204 30 | F5 | 9238 2718 00 | H10 |
| 9232 0402 80 | A26 | 9232 1411 11 | G38 | 9232 2205 02 | F11 | 9238 2718 11 | H2 |
| | B7 | 9232 1411 21 | G46 | 9232 2212 01 | D19 | 9238 2718 40 | H9 |
| 9232 0404 40 | A24 | 9232 1604 40 | A14 | 9232 2213 22 | D1 | 9238 2713 90 | H1a |
| 9232 0404 91 | G28 | 9232 1604 51 | A12 | 9232 2213 42 | E1 | 9238 2739 50 | H1a |
| 9232 0406 50 | A8 | 9232 1604 61 | A11 | 9232 2213 51 | E9 | 9238 2742 91 | H1b |
| 9232 0501 10 | D27 | 9232 1604 70 | A6 | 9232 2214 12 | D22 | | |
| 9232 0501 20 | F3 | 9232 1604 80 | A10 | 9232 2214 20 | D24 | | |
| 9832 0503 50 | C15 | 9232 1604 92 | A15 | 9232 2214 50 | D7 | | |
| 9232 0504 20 | E10 | 9232 1605 11 | A18 | 9232 2216 80 | C28 | | |
| 9232 0601 00 | D20 | 9232 1605 20 | B9 | 9232 2217 50 | F24b | | |
| | F23 | 9232 1605 41 | A22 | 9232 2218 30 | F24a | | |
| 9232 0601 20 | G2 | 9232 1605 50 | A31 | 9232 2219 90 | D33 | | |
| 9232 0601 90 | A27 | | B10 | 9232 2232 40 | D34 | | |
| | B8 | 9232 1605 60 | A32 | 9232 2237 91 | D31 | | |
| 9232 0604 60 | A19 | | B14 | 9232 2304 60 | F15 | | |
| 9232 0607 30 | G41 | 9232 1605 72 | A28 | 9232 2306 00 | F16 | | |
| 9232 0608 30 | G40 | | B11 | 9232 2308 41 | F17 | | |
| 9232 0802 20 | D32 | 9232 1703 61 | B6 | 9232 2308 70 | F19 | | |
| 9232 0903 40 | E5 | 9232 1802 11 | C21 | 9232 2308 81 | F14 | | |

| J | Table of signs | Clefs | Zeichenerklärungen | Legendas |
|--------------------------|---|--|---|---|
| <input type="checkbox"/> | Complete | Compl. | Kompl. | Compl. |
| *) | No spare part | Pas pièce de rechange | Kein Ersatzteil | No es pieza de recambio |
| **) | Included in gasket set 9232 1210 31 | Inclus dans le jeu de joints 9232 1210 31 | Gehört zum Packung- satz 9232 1210 31 | Incluido en el juego de juntas 9232 1210 31 |
| ***) | Transport case | Coffre de rangement | Transportkiste | Caja de máquina |
| | Tabela de avisos | Legenda | Verklaring | Πίνακας πινακίδων |
| <input type="checkbox"/> | Completo | Completo | Kompleet | Πλήρης |
| *) | Não há peças | Non ricambio | Geen wissel st. | Οχι ανταλλακτικά |
| **) | Incluído no conjunto de juntas 9232 1210 31 | Incluso nel kit guarni- zioni 9232 1210 31 | In de Packing set begrepen 9232 1210 31 | Περιλαμβάνεται στο σε σοβρεσσαλεντες παρεωθεμάτων 9232 1210 31 |
| ***) | stojo para transporte | Casetta di trasporto | Transportkist | Θήκη μεταφοράς |
| | Kilpitaulukko | Signaturforklaring | Tegnforklaring | Teckenförklaringar |
| <input type="checkbox"/> | Täydellinen | Komplet | Komplett | Komplett |
| *) | Ei varaosa | Ikke reservdel | Ingen reservdeler | Ej reservdel |
| **) | Sisältyy tiivissarjaan 9232 1210 31 | Inkludert i pakningssæt 9232 1210 31 | Inkludert i pakningssett 9232 1210 31 | Ingår i packningssats 9232 1210 31 |
| ***) | Kuljetuslaatikko | Transportkasse | Transportkasse | Transport låda |

Use only authorized parts. Any damage or malfunction caused by the use of unauthorized parts is not covered by Warranty or Product Liability.

N'utiliser que des pièces approuvées. Tout endommagement ou fonctionnement défectueux résultant de l'utilisation de pièces non approuvées n'est pas couvert par Garantie et responsabilité du produit.

Nur Zugelassene Teile verwenden. Schäden oder Funktionsstörungen, die auf die Verwendung nicht zugelassener Teile zurückzuführen sind, fallen nicht unter die Garantie- oder Produkthaftungsbestimmungen.

Sólo se pueden usar piezas autorizadas. Cualquier daño o funcionamiento defectuoso causado por el uso de piezas no autorizadas no se cubren por la Garantía o la Responsabilidad del Producto.

Use apenas peças autorizadas. Qualquer avaria ou mau funcionamento motivado pelo uso de peças não é coberto por garantia ou responsabilidade de riscos causados pelo produto.

Usare solamente parti autorizzate. I danni o disturbi del funzionamento causati dall'uso di parti non autorizzate, non sono coperti dalla Garanzia né dall'Assicurazione del prodotto.

Gebruik uitsluitend geautoriseerdeonderdelen. Schade of gebreken veroorzaakt door het gebruik van niet-geautoriseerde onderdelen vallen niet onder de garantie of de produkt-aansprakelijkheid.

Χρησιμοποιείτε μόνο εγκεκριμένα εξαρτήματα. Τυχόν καταστροφή ή βλάβη η οποία προκαλείται από τη χρήση μη εγκεκριμένων εξαρτημάτων δεν καλύπτεται από την Εγγύηση ή την Ευθύνη Προϊόντος.

Käytä vain hyväksytyjä varaosia. Takuu ja tuotevastuu eivät korvaa hyväksymättömien varaosien käytöstä aiheutuvia vaurioita tai toimintahäiriöitä.

Brug kun autoriserede dele. Enhver skade eller fejlfunktion, der skyldes brugen af ikke-autoriserede dele, er ikke dækket af garantien eller produktansvarsforsikringen.

Bruk bare godkjente deler. Enhver skade eller funksjonsfeil som skyldes bruk av ikke godkjente deler dekkes ikke av garanti eller produktansvar.

Använd endast godkända reservdelar. Skada eller funktionsfel som beror på användning av ej godkända reservdelar täcks inte av garantiåtaganden eller produktansvar.

Any unauthorized use or copying of the contents or any part thereof is prohibited. This applies in particular to trademarks, model designations, part numbers and drawings.

Toute utilisation ou reproduction non autorisée du contenu, ou d'une partie du contenu, est illicite. Cela s'applique particulièrement aux marques déposées, aux désignations de modèles, aux numéros de pièces et aux plans.

Unbefugter Gebrauch oder das Kopieren des Inhalts, auch auszugsweise, ist verboten. Dies gilt besonders für Warenzeichen, Modellbezeichnungen, Teilnummern und Zeichnungen.

Está prohibido cualquier uso o copia no autorizada del contenido o de cualquier parte de éste. Esto se aplica en especial a marcas registradas, denominaciones de modelos, números de piezas y dibujos.

Qualquer utilização não autorizada ou cópia de qualquer peça é expressamente proibida. Isto aplica-se em particular às marcas registradas, denominação dos modelos, referência de peças e desenhos.

E' vitata qualsiasi forma d'uso o copiatura non autorizzata del contenuto, anche parziale, con particolare riguardo ai marchi di fabbrica, alle denominazioni dei modelli, ai numeri delle parti ed ai disegni.

Niet-geautoriseerd gebruik of kopiëren van de inhoud of een deel daarvan is niet toegestaan. Dat geldt in het bijzonder voor handelsmerken, model-benamingen, onderdeel nummers en tekeningen.

Τυχόν μη εξουσιοδοτημένη χρήση ή αντιγραφή των περιχομένων οποιουδήποτε μέρους του παρόντος απαγορεύεται. Αυτό ισχύει ιδιαίτερα στα σήματα κατατεθέντα, τις ονομασίες μοντέλων, τους αριθμούς ανταλλακτικών και τα σχεδιαγράμματα.

Sisällön tai sen osan luvaton käyttö tai kopiointi on kielletty. Tämä koskee erityisesti tavaramerkkejä, mallien nimiä, osanumeroita ja piirustuksia.

Enhver ikke-autoriseret brug eller kopiering af indholdet eller nogen del deraf er forbudt. Dette gælder især varemærker, modelbetegnelser, reservedelsnumre og tegninger.

Enhver ikke godkjent bruk eller kopiering av innholdet eller noen del av det er forbudt. Dette gjelder i særlig grad varemerker, modellbetegnelser, delnummer og tegninger.

Ej i förväg godkänd användning eller kopiering av innehållet eller del av detta är förbjuden. Detta gäller speciellt varumärken, modellbeteckningar, reservdelsnummer och ritningar.